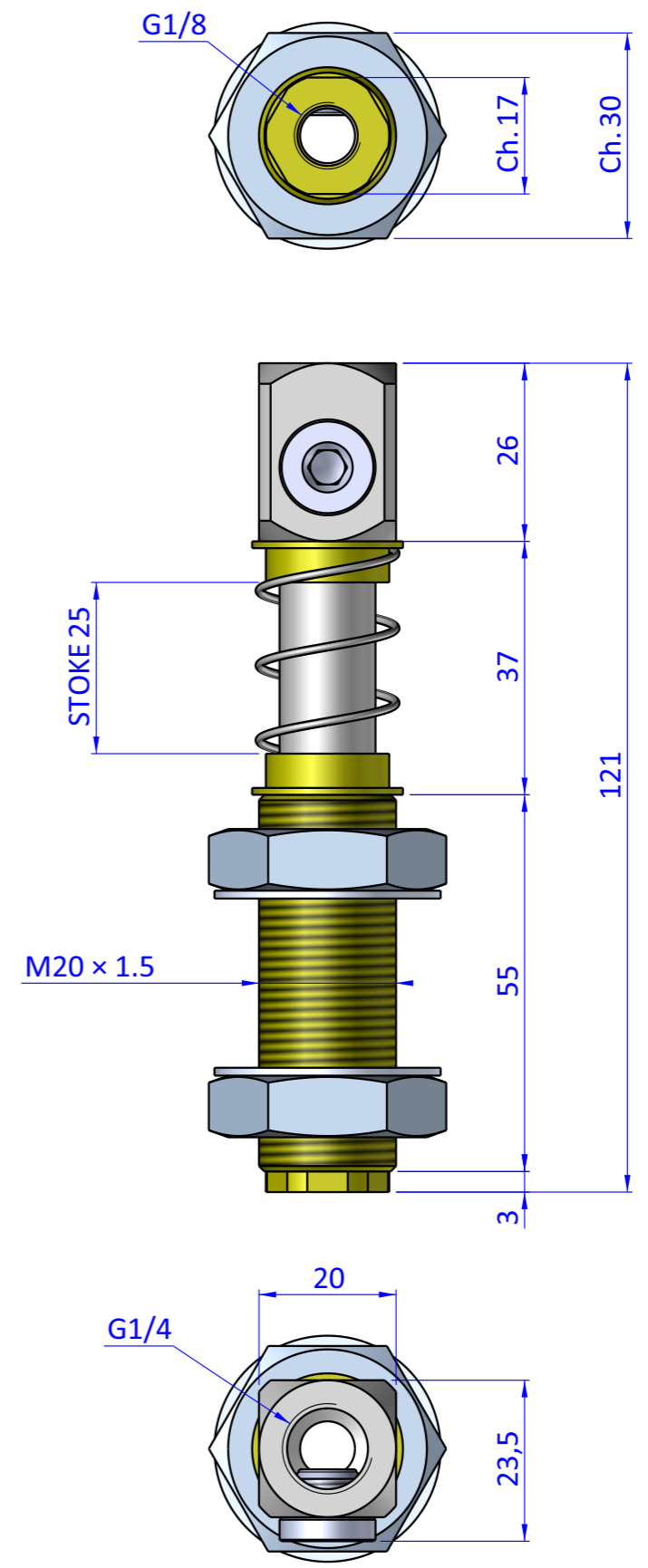
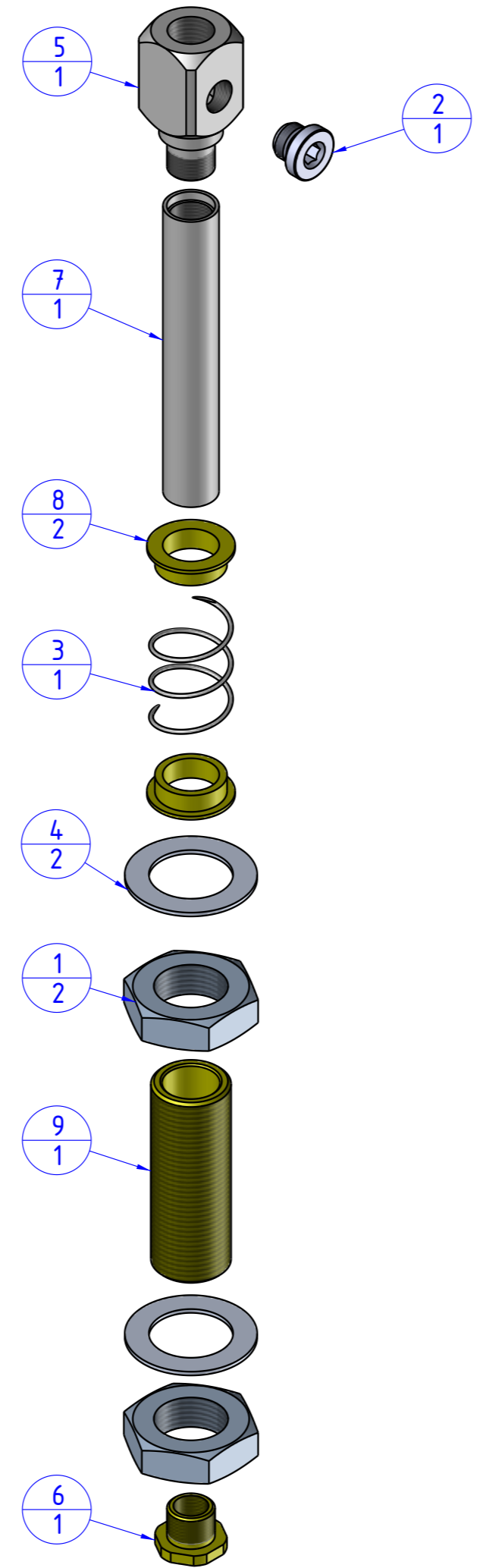



THE PROPERTY OF THE DRAWING IS ESTABLISHED BY LAW. IT IS FORBIDDEN TO PRODUCE OR SHOW IT TO THIRD PART. WITHOUT A WRITTEN AGREEMENT.

Item	Name	Q.ty
1	05.02.001.06	2
2	CA.08.14.014	1
3	M.21x44	1
4	R.20.SCH	2
5	SAE.20141825.1	1
6	SAE.20141825.5	1
7	SAR.20141825.2	1
8	SAR.20141825.4	2
9	SARG.20141825.3	1



Format A3
UNI 936-76

 FPS SERVICES AUTOMATION		DESIGNED FROM		REVIEW
		FPS Automation		A
GENERAL TOLERANCE		DATE	WEIGHT	
UNI - ISO 2768		23/12/2021	0,177kg	
CLASSE f		CODE		
		CA.SARG.20141825		CA.SARG.20141825